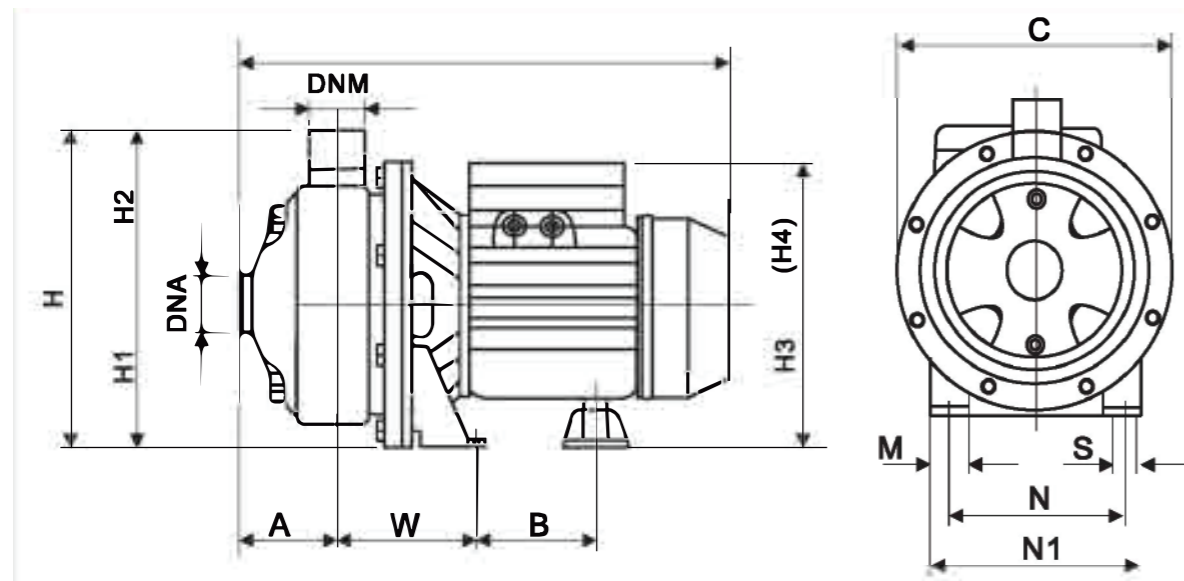




Outline Dimension



Model		Dimensions(mm)															
Single phase	Three phase	A	C	F	H	H1	H2	H3	H4	M	N	N1	S	W	B	DNA	DNM
PSB70/037	PSBT70/037	52	213	315	232	108	124	241	213	39	120	158	9	92	82	G1"1/4	G1"
PSB70/055	PSBT70/055	52	213	315	232	108	124	241	213	39	120	158	9	92	82	G1"1/4	G1"
PSB70/075	PSBT70/075	52	213	315	232	108	124	241	213	39	120	158	9	92	82	G1"1/4	G1"
PSB120/075	PSBT120/075	52	213	315	232	108	124	241	213	39	120	158	9	92	82	G1"1/4	G1"
PSB120/110	PSBT120/110	52	213	370	232	108	124	224	224	39	120	158	9	92	82	G1"1/4	G1"
PSB120/150	PSBT120/150	52	235	386	252	120	132	234	234	39	140	180	9	94	82	G1"1/4	G1"
PSB200/075	PSBT200/075	52	213	370	232	108	124	241	213	39	120	158	9	92	82	G1"1/2	G1"
PSB200/110	PSBT200/110	52	213	370	232	108	124	224	224	39	120	158	9	92	82	G1"1/2	G1"
PSB200/150	PSBT200/150	52	213	370	232	108	124	224	224	39	120	158	9	92	82	G1"1/2	G1"
PSB2070/185	PSBT120/260	91	235	421	257	120	137	260	234	39	140	180	9	94	90	G1"1/4	G1"
	PSBT070/185	91	235	421	257	120	137		242	40	140	180	9	93	80	G1"1/4	G1"

WATER PUMP

PSB SERIES





Potenza Stainless Steel Micro Centrifugal Pump



Introduction

- Potenza Stainless steel Micro centrifugal pump are suitable for transporting clean water which are non-aggressive to SUS 304.
- Single & Twin impeller are available to suit different industries.

Application

- Water supply systems; Pressure boiler feeding; Pure water treating systems; Pharmaceutical & Food stuff; Refining chemical industries; Washing and sprinkling.

Materials:

- Mechanical Seal : NBR/Carbon/Ceramic (Viton On request)
- Impeller :SUS304
- Shaft :SUS304
- Pump Casing : SUS 304
- Bracket and Motor Casing material : Aluminium
- NSK Bearing: Made in Japan

Technical Data :

- Maximum working pressure: 8 bar.
- Liquid temperature:-15°C~+80°C (Standard mechanical seal).
- Optional Viton seal (-20°C~+110°C).
- With PC controller: +60°C.

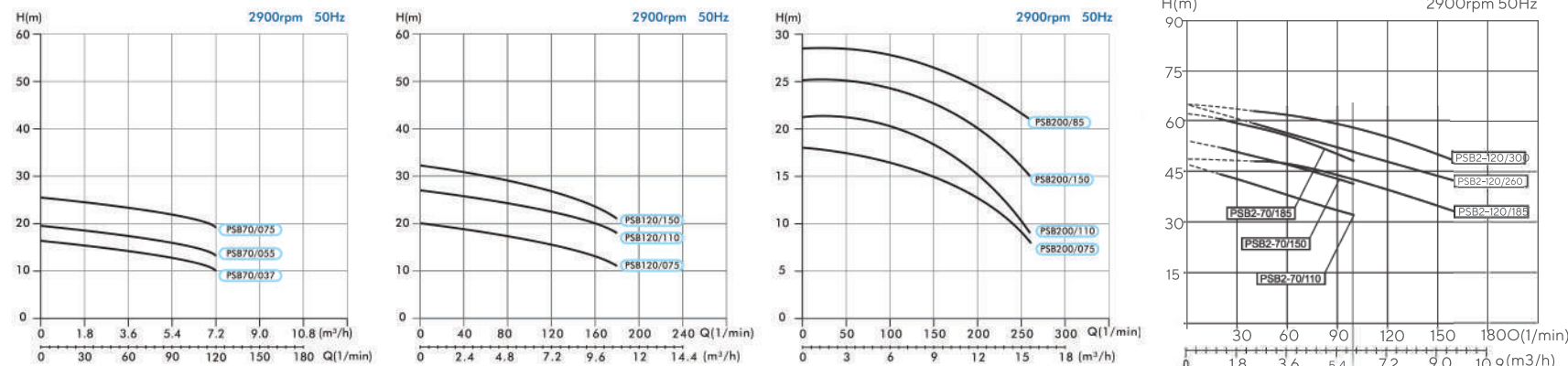
Motor:

- 2 Pole Induction motor, continuous duty, TEFC, Class F, IP55.
- Single phase: 240V/1ph/50Hz (with thermal protection).
- Three phase: 415V/3ph/50Hz.
- Ambient temperature:-15°C~+40°C.

Advantages :

- Laser welded pump housing
- Energy Saving (IE2 motor)
- NSK Ball Bearing (Made in Japan)
- Large Water Capacity
- Pump material SUS304 (Anti-rust)

Performance Curve



PSB Exploded View



No	Part Name	No	Part Name	No	Part Name	No	Part Name
1	Motor	5	Mechanical Seal	9	Impeller nut	13	O-ring
2	Key	6	O-ring	10	Wearing	14	"L" Washer
3	"V" Slinger	7	Impeller	11	Casing	15	Priming/Drain bolt
4	Backcover	8	Spring washer	12	Bolt		

No	Part Name	No	Part Name	No	Part Name	No	Part Name
1	Motor	7	Impeller	13	Guide plate	19	Bolt
2	Key	8	Shaft sleeve	14	Impeller	20	O-ring
3	"V" Slinger	9	Position plate	15	Spring washer	21	"L" Washer
4	Back Cover	10	O-ring	16	Impeller nut	22	Priming/Drain bolt
5	Mechanical Seal	11	Wearing	17	Guide plate front cover		
6	O-ring	12	Guide plate backcover	18	Casing		

PSB Performance Data

Single Phase 240V/50HZ	Three Phase Δ 220V Y415V/50HZ	Power kW	HP	Suction Head m	Capacity 2900rpm															
					Head(m)															
					1/min m3/H	20	40	60	70	80	100	120	140	160	180	200	220	240	260	
PSB70/037	PSBT70/037	0.37	0,5	8	16	15	13.5	13	11.5	10										
PSB70/055	PSBT70/055	0.55	0.75	8	19	18	17	16	15	14										
PSB70/075	PSBT70/075	0.75	1.0	8	25	24	22.5	22	20	19										
PSB120/075	PSBT120/075	0.75	1.0	8	19	17.5	17	15.8	15	24	12	11								
PSB120/110	PSBT120/110	1.1	1.5	8	26	25	24	23	22	21	20	18								
PSB120/150	PSBT120/150	1.5	2.0	8	31	30	29	28	27	25	24	21								
PSB200/075	PSBT200/075	0.75	1.0	8		18	17	16.5	16	15.5	14.5	13.5	12.5	11	10	8				
PSB200/110	PSBT200/110	1.1	1.5	8		21	20.5	20	19	18	17	16	15	13	12	9				
PSB200/150	PSBT200/150	1.5	2.0	8		25.5	25	24	23	20	21.5	21	20	18	17	15				
PSB2070/185	PSBT2070/185	1.85	2.50	8	61	58	56	54	48											
	PSB2T120/260	2.60	350	8		59	56	54	50	47	45	42								