

JY SERIES SINGLE-PHASE CAPACITOR START ASYNCHRONOUS MOTORS

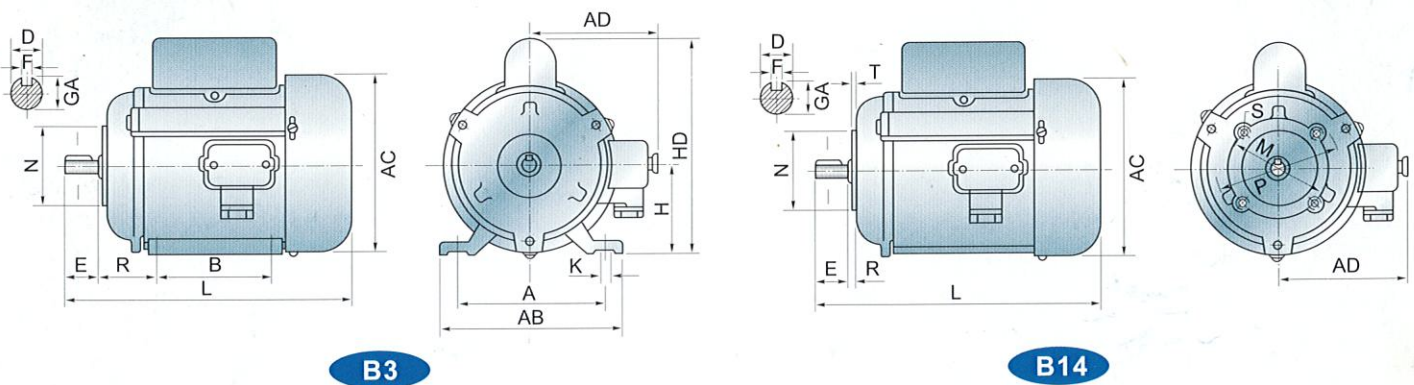
ISO9001:2000



TECHNICAL DATA (240V, 50Hz)

Frame Size	Model	Output		Speed (r.p.m.)	Full Load Current (A)	Power Factor	Eff (%)	Torque Full Load (kg.m)	Starting torque Rated torque	Weight (kg)
		kW	HP							
09	JY09A-2	0.25	1/3	2800	2.6	0.72	63	0.09	2-3.5	11.5
	JY09B-2	0.18	1/4	2800	2	0.72	60	0.06	2-3.5	10.2
	JY09A-4	0.18	1/4	1400	2.4	0.62	56	0.13	2-3.5	10.2
1	JY1A-2	0.55	3/4	2800	4.7	0.72	66	0.18	2-3.5	16
	JY1B-2	0.37	1/2	2800	3.4	0.72	66	0.13	2-3.5	14
	JY1A-4	0.37	1/2	1400	3.8	0.62	64	0.255	2-3.5	14
	JY1B-4	0.25	1/3	1400	2.7	0.62	60	0.17	2-3.5	13
2	JY2A-2	1.1	1.5	2850	8.5	0.77	71	0.38	2-3.5	23
	JY2B-2	0.75	1	2850	5.6	0.75	70	0.26	2-3.5	21.7
	JY2A-4	0.75	1	1400	6.5	0.68	69	0.51	2-3.5	21.7
	JY2B-4	0.55	3/4	1400	4.8	0.68	67	0.36	2-3.5	20

Installation Dimensions



Frame Size	Mounting Dimensions (mm)														Frame Dimensions (mm)					
	A	B	C	D	E	F	GA	H	K	M	N	P	R	S	T	AB	AC	AD	HD	L
09	125	100	50	14	30	4	15.5	80	10	85	70	105	0	M6	3	156	156	108	190	258
1	140	100	56	16	40	5	18	90	10	100	80	120	0	M8	3	176	176	121	220	286
2	160	112	63	19	40	6	21.5	100	12	115	95	140	0	M8	3	190	190	128	246	330