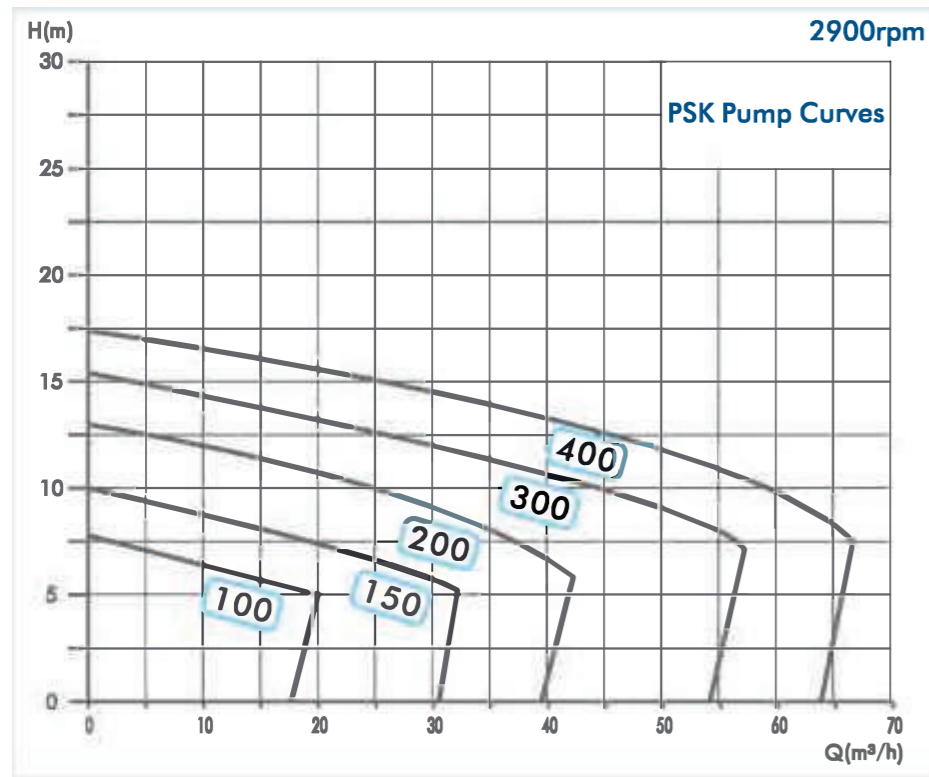


PSK SERIES

Performance Curve



PSK Performance Data

Model		Power		Capacity										2900rpm
Single Phase 240V/50HZ	ThreePhase Δ220V - Y415V/50HZ	KW	HP	m ³ /h	6	12	18	24	33	42	48	57	66	
				1/min	100	200	300	400	550	700	800	950	1100	
PSK100	PSKT100	0.75	1.0		7	6	5							
PSK150	PSKT150	1.1	1.5		9.5	8.8	7.8	6.7	5					
PSK200	PSKT200	1.5	2.0		12.7	12	11.2	10	8.3	6.5				
—	PSKT300	2.2	3.0		15	14	13.5	12.7	11.2	9.8	8.9	7.5		
—	PSKT400	3.0	4.0		17.5	16.8	16	15.2	14	12.5	11.5	9.7	7.5	

potenza[®]
feel the power

WATER PUMP

PSK SERIES





Potenza Semi-open impeller Stainless steel pump.



INTRODUCTION

- PSK series semi open impeller pump are suitable for high volume water transfer which are non aggressive to stainless steel SUS 304.

Application

- Suitable for circulation cleaning system of various production lines and transporting media containing impurities. Liquid food production & processing; spray booth ; irrigation.

Materials :

- Mechanical Seal : NBR/Carbon/Ceramic (Viton On request)
- Impeller : SUS 304
- Shaft : SUS 304
- Pump Casing : SUS 304
- Bracket and Motor Casing material : Aluminium

Technical Data :

- Maximum working pressure: 10 bar.
- Liquid temperature: -20°C~+80°C (Standard mechanical seal).
- Optional Viton seal (-20°C~+110°C).

Motor :

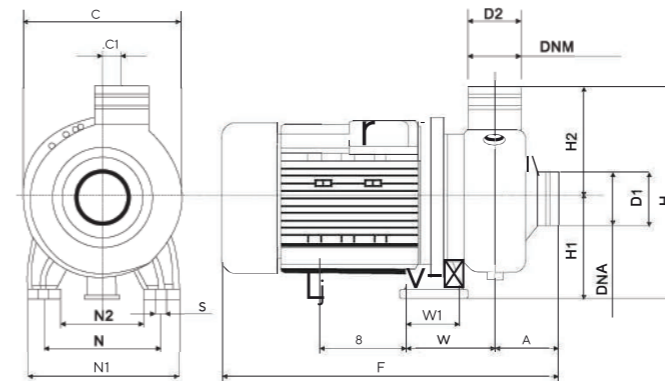
- IE2, 2 Pole Induction motor, Continuous duty, TEFC, Class F, IP55.
- Single phase: 240V/1ph/50Hz (with thermal protection).
- Three phase: 415V/3ph/50Hz.
- Ambient temperature: -15°C~+40°C.

Advantages :

- Laser welded pump housing
- Energy Saving (IE2 motor)
- NSK Ball Bearing (Made in Japan)
- Large Water Capacity
- Pump material SUS304 (Anti-rust)



PSK Outline Dimension



Dimensions(mm)																		
Model	A	C	Cl	F	H	HI	H2	N	NI	N2	S	W	WI	B	DI	DNA	D2	DNM
PSK100	74.5	170	20	358	226	108	118	120	160	BO	9	84	52	90	052	G1½"	052	G1½"
PSK150	82	193	20	364	253	120	133	140	180	100	9	100	52	74	063	G2"	063	G2"
PSK200	82	193	20	364	253	120	133	140	180	100	9	100	52	74	063	G2"	063	G2"
PSK300	82	193	20	390	253	120	133	140	180	100	9	100	52	65	080	G2½"	063	G2"
PSK400	82	193	20	390	253	120	133	140	180	100	9	100	52	65	080	G2½"	063	G2"

PSK Exploded View

No.	Description	No.	Description	No.	Description
1	Motor	6	Mechanical seal	11	O ring
2	Key	7	Mech. Seal Carrier	12	"L"Washer
3	"V"Slinger	8	Impeller	13	Priming/ Drain Bolt
4	Back Cover	9	Spring washer	14	Casing
5	O ring	10	Impeller Nut	15	Screw

