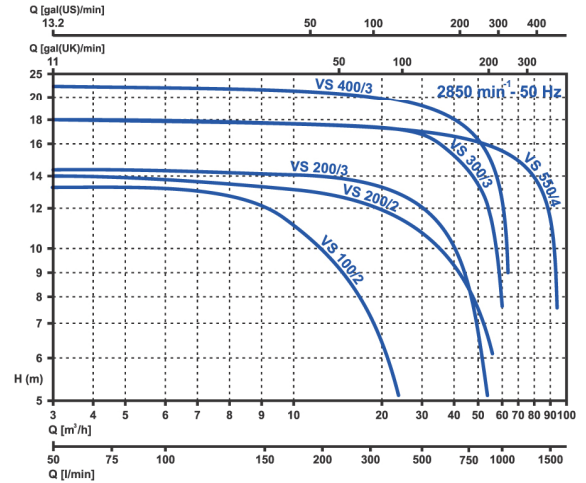
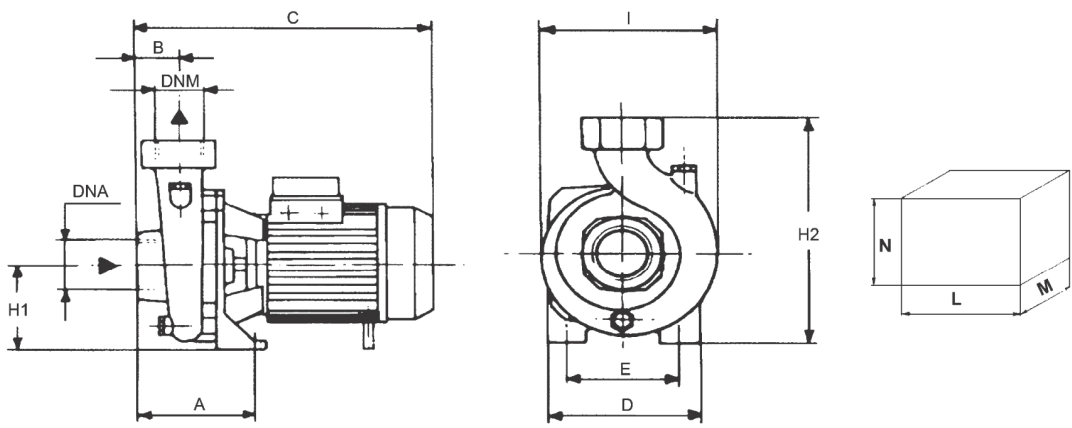




Series VS
SINGLE IMPELLER CENTRIFUGAL ELECTRIC PUMPS



TYPE - MODEL		Nominal Power		Input Power		I (A)		Capacity (m³/h - l/min)																DNM	DNM	ราคา			
1~ Singlephase	3~ Threephase	kW	HP	1~	3~	1x230V 50Hz	3x400V 50Hz	0	3	6	9	12	15	18	24	30	36	42	48	54	60	70	84				96	220V 50Hz	380V 50Hz
								Total head (m)																					
VS 100/2	VS 100/2T	0.74	1	0.92	1.05	4.3	2.3	13	12.5	12.3	11.5	10.3	9.3	7.5														2"G	2"G
VS 200/2	VS 200/2T	1.5	2	2.1	2.1	10	3.9	14				14	13.3	13.1	12.4	11.6	10.6	9.4	7.8	6								2"G	2"G
VS 200/3	VS200/3T	1.5	2	2.35	2.15	11	3.6	14.5						15	14.2	13.8	11.8	11.7	9.9	7.8	4.8							3"G	3"G
VS 300/3	VS 300/3T	2.2	3	3.3	2.9	15	4.9	18						18	17.5	17.2	16.4	15.3	14.2	12.3	9.9	7.5						3"G	3"G
VS 400/3	VS 400/3T	3	4	-	4	-	6.7	22						22	21.5	21.5	21	20	19	18.5	16	14	9					3"G	3"G
VS 550/4	VS 550/4T	4	5.5	-	5.05	-	8.8	18									18.5	18	17.5	17	16.5	16	15	13	11			4"G	4"G



TYPE	DIMENSION (mm.)										PACKING (mm.)			Weight Kg.
	A	B	C	D	E	I	H1	H2	DNA	DNM	N	L	M	
VS 100/2	127	45	315	155	115	178	97	247	2"G	2"G	280	340	195	15.5
VS200/2	150	53	370	180	140	218	115	285	2"G	2"G	325	390	230	24.3
VS 200/3	160	80	455	200	140	225	112	292	3"G	3"G	330	480	245	28.3
VS 300/3	160	80	455	200	140	225	112	292	3"G	3"G	330	480	245	31.5
VS 400/3	160	80	455	200	140	225	112	292	3"G	3"G	330	480	245	31.6
VS 550/4	165	85	480	220	160	250	130	330	4"G	4"G	365	510	270	41.5

Cast iron pump body, Cast iron pump bracket, Brass impeller, Stainless steel shaft or mild steel, Max temperature of pumped liquid 90 °C, max working pressure 6 bar, Carbon/ceramic Mechanical Seal, Mortor T.E.F.C 2 poles Insulation Class F Protection IP 55 or IP 44