

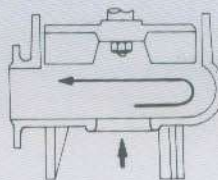
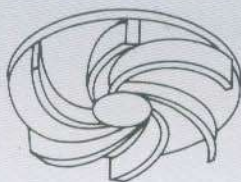
# SV SERIES



JS150SV

JS400SV

JST75SV4



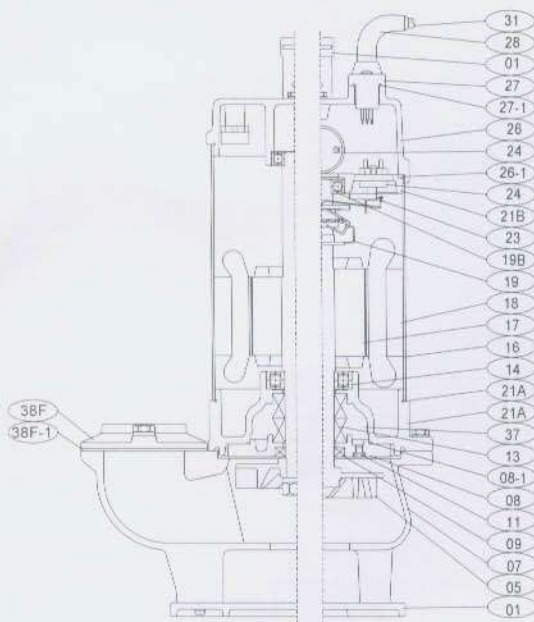
## Model Nos:

Based on the Vortex principle, the impeller is Real-non-clog design, and carryase waste and sewage waste directly though the impeller. Suited for heavily polluted waste water containing slender matter and fiber.

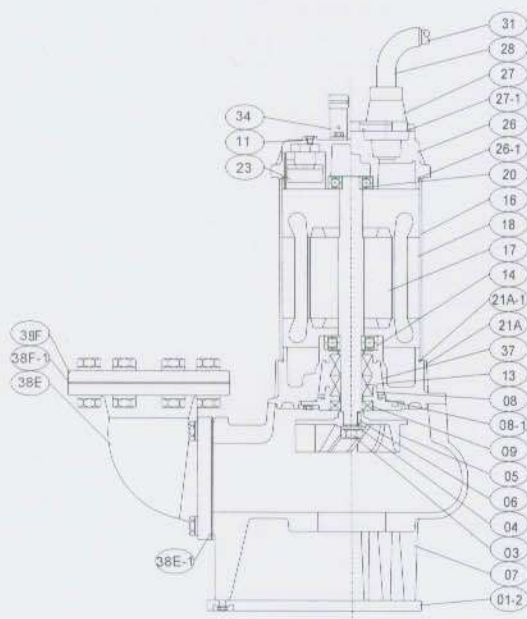
- (1) The built-in motor protector protects. The motor from overload burn or phase loos.
- (2) A mechanical seal of super hard alloy used for shaft bearing sealing prevents Water leakage into the motor.

# Parts List

## 3 PHASE 1 PHASE

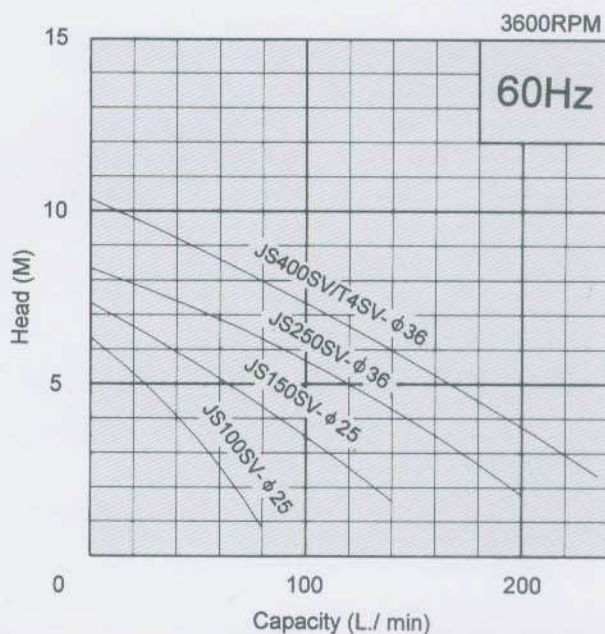
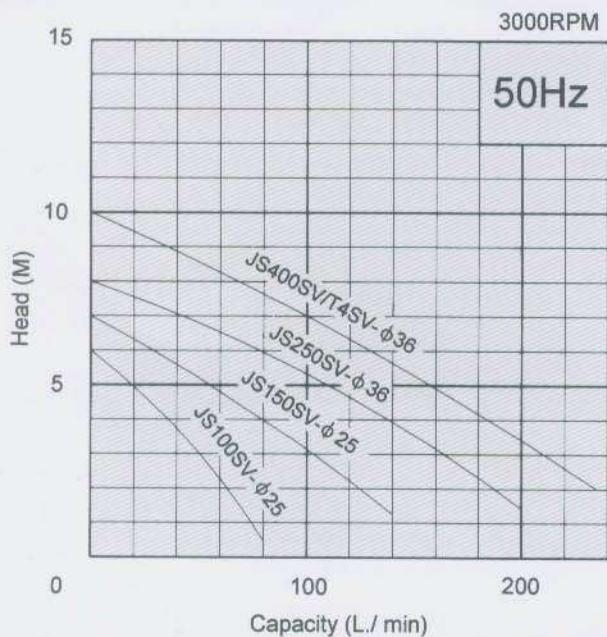


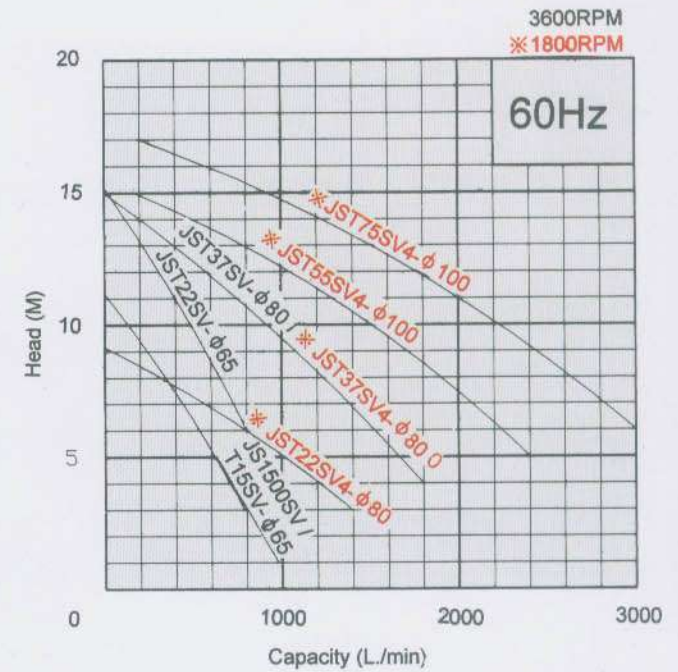
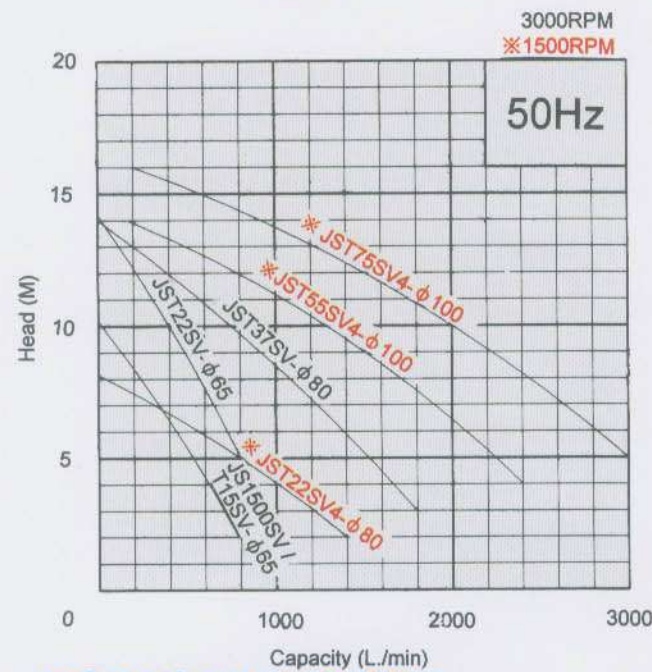
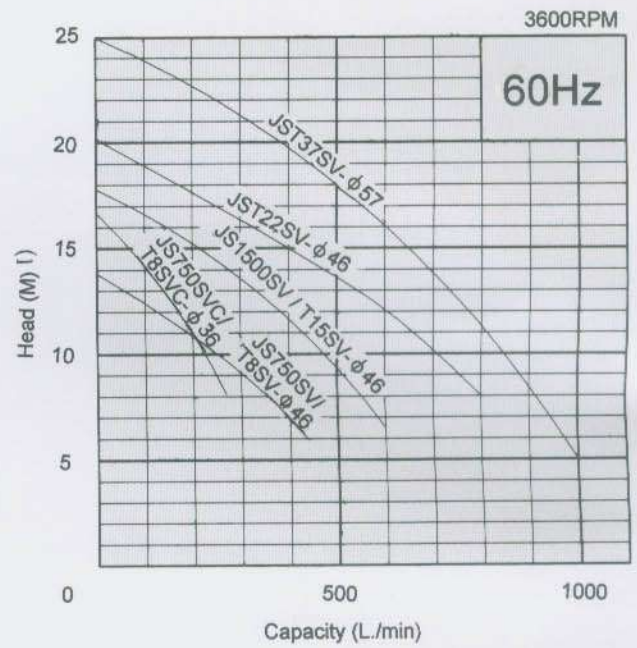
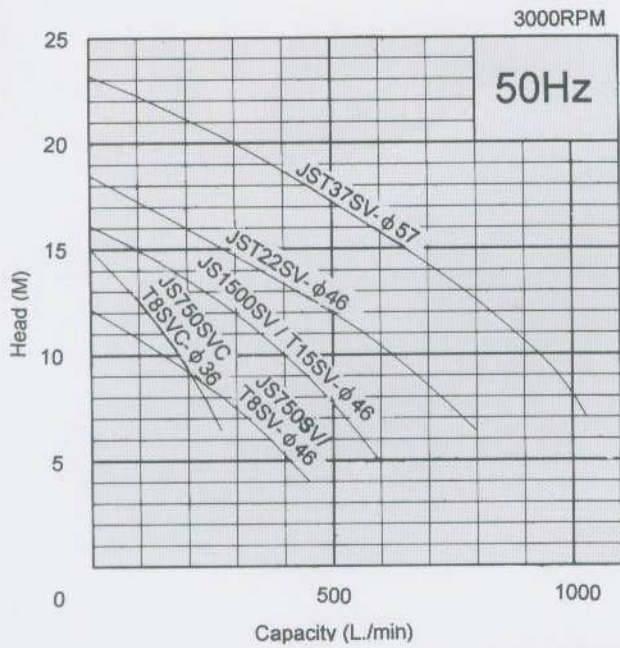
No.	Description	No.	Description
01	STRAINER	21A	MOTOR BOTTOM COVER
05	IMPELLER	21A-1	ORING
07	PUMP HOUSING	21B	MOTOR UPPER COVER
08	OIL CHAMBER	23	OVERLOAD PROTECTOR
08-1	OPING	24	CONDENSOR
09	LIP SEAL (LOWER)	26	UPPER COVER
11	PLUGS	26-1	ORING
13	MECHANICAL SEAL	27	CABLE GLAND
14	BEARING (BOTTOM)	27-1	ORING
16	MOTOR CASING	31	CABLE
17	ROTOR SHAFT	34	HANDLE
18	STATOR	37	OIL
19	GOVERNOR SWITCH	38F	OUTLET
19-B	CENTRIFUGAL	38F-1	GASKET
20	BEARING (UP)		



No.	Description	No.	Description
01-2	BOTTOM PLATE	21A	MOTOR BOTTOM COVER
03	NUT	21A-1	ORING
04	WASHER	23	OVERLOAD PROTECTOR
05	IMPELLER	26	UPPER COVER
06	KEY	26-1	ORING
07	PUMP HOUSING	27	CABLE GLAND
08	OIL CHAMBER	27-1	ORING
08-1	ORING	28	RUBBER SLEEVE
09	LIP SEAL (LOWER)	31	CABLE
11	PLUGS	34	HANDLE
13	MECHANICAL SEAL	37	OIL
14	BEARING (BOTTOM)	38E	OUTLET
16	MOTOR CASING	38E-1	GASKET
17	ROTOR SHAFT	38F	OUTLET
18	STATOR	38F-1	GASKET
20	BEARING (UP)		

## Performance Curves





### ■ Specification 50/60Hz

Pump Type	Outlet Diameter Inch(mm)	Output KW	Pole P	Voltage 50Hz or 60Hz	Continuous		Cable c*awg*m/ c*mm <sup>2</sup> *m	Weight		Max Solids (mm)		
					Head M	Capacity L/min		Free standing KG	SR-Model KG	50Hz	60Hz	
JS100 SV	1 1/4"(32)	0.1	2	1 Phase 100V 240V	3	50/55	3*0.75*5	5		25	25	
JS150 SV	1 1/4"(32)	0.15	2		4	80/90	3*0.75*5	5.5		25	25	
JS250 SV	1 1/2"(40)	0.25	2		5	110/120	3*1.0*6	9	8	36	36	
JS400 SV	2"(50)	0.4	2		7	100/110	3*1.0*6	10	8	36	36	
JS750C SV	2"(50)	0.75	2		9	200/250	3*1.4*10	16	8	36	36	
JS750 SV	3"(80)	0.75	2		7.5	300/370	3*1.4*10	22	24.6	46	46	
JS1500 SV	3"(80)	1.5	2		10	400/470	3*1.4*10	24	24.6	46	46	
JS1500 SV	3"(80)	1.5	2		6	410/460	3*1.4*10	27	24.6	65	65	
JST4 SV	2"(50)	0.4	2		3 Phase 200V 460V	7	100/110	4*1.25*10	10	8	36	36
JST8C SV	2"(50)	0.75	2			9	200/250	4*1.25*10	15	8	36	36
JST8 SV	3"(80)	0.75	2	7.5		300/370	4*1.25*10	21	24.6	46	46	
JST15 SV	3"(80)	1.5	2	10		400/470	4*1.25*10	23	24.6	46	46	
JST15 SV	3"(80)	1.5	2	6		410/460	4*1.25*10	26	24.6	65	65	
JST22 SV	3"(80)	2.2	2	12		500/600	4*2.0*10	30	24.6	46	46	
JST22 SV	3"(80)	2.2	2	10		400/480	4*2.0*10	33	24.6	65	65	
JST22 SV4	3"(80)	2.2	4	5		800/1000	4*2.0*10	40	24.6	80	80	
JST37 SV	3"(80)	3.7	2	15		650	4*2.0*10	50	24.6	57	57	
JST37 SV	3"(80)	3.7	2	8.5		1000/1150	4*2.0*10	55	24.6	80	80	
JST37 SV4	3"(80)	3.7	4	8.5		1150	4*2.0*10	60	24.6	80	80	
JST55 SV4	4"(100)	5.5	4	10		1300/1500	4*5.5*10	75	34.7	100	100	
JST75 SV4	4"(100)	7.5	4	10		2000/2200	4*5.5*10	80	34.7	100	100	