

MODEL SK-SERIES:

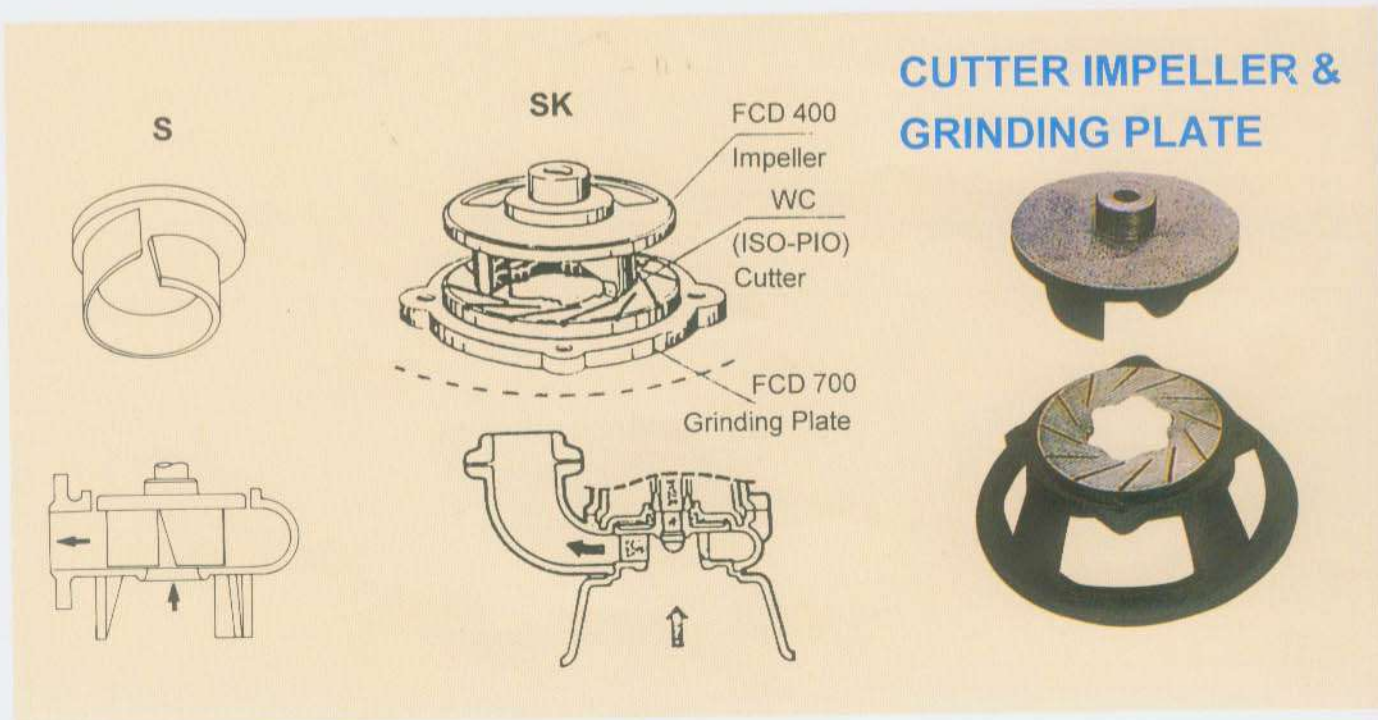
- Our Shredder type pumps leaves solids slightly larger than that of a Grinder pump. Incorporating a tungsten carbide cutting tip on a single vane impeller causes the Shredding action. This impeller runs against a scored diffuser plate.
- The SK-Series pumps feature non-clog, single vane impellers designed for high volume and lift performance. They are especially suited for handling sewage and industrial waste water. Each pump is tested at the factory for performance and safety.

APPLICATIONS:

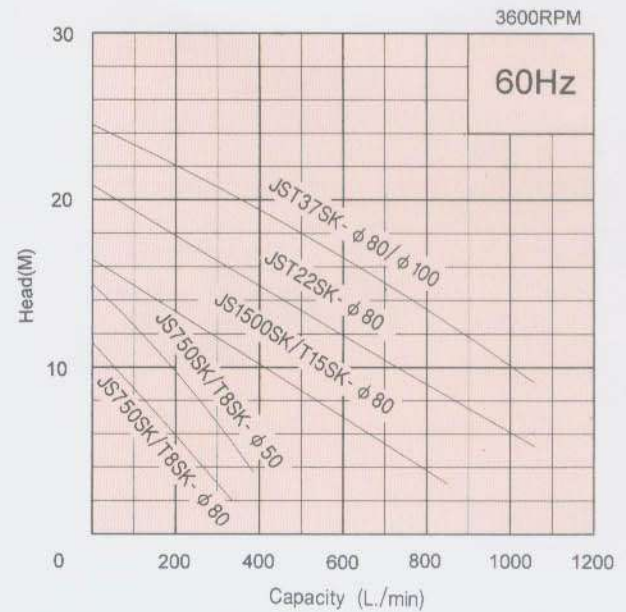
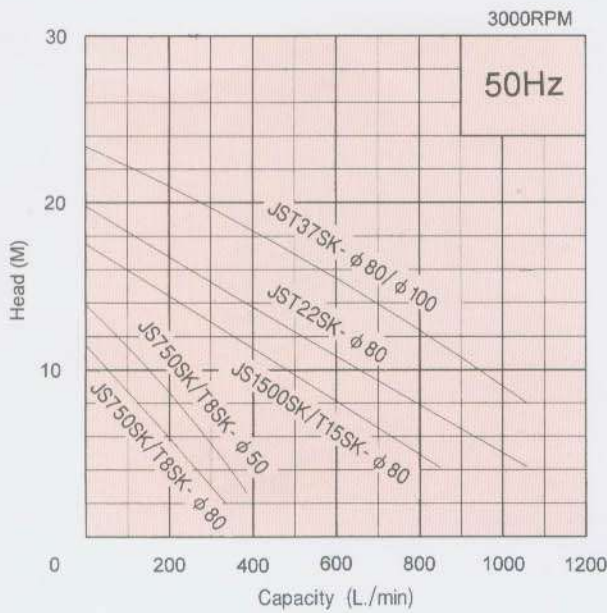
- Agricultural waste applications.
- Sewage and Industrial waste water.
- Water treatment sludge removal.
- Hospital waste and other corrosive liquides.

MATERIALS:

- The motor casing, rotor shaft and all hardware are made of 304 stainless steel with other exposed parts made of cast iron.
- Motor protection incorporates overload protection against overheating and high amperage.
- Dual mechanical seals in a separate oil-chamber with an oil-seal-ring on the outside.
- Dry motor.
- **All SK-models also available with slide rail systems, and also available with float switch and also available in all 316 cast stainless steel.**



Performance Curves



Specifications 50/60Hz

Pump Type	Outlet Diameter Inch(mm)	Output KW	Voltage 50Hz or 60Hz	Continuous		Cable c*awg*m/ c*mm ² *m	Weight		Max Solids(mm)	
				Head M	Capacity L./min		Free standing KG	SR- Model KG	50Hz	60Hz
JS750 SK	2"(50)	0.75	1 Phase 100V 240V	7	250/300	3*14awg*10	30	8	21	21
JS750 SK	3"(80)	0.75		6	200	3*14awg*10	30	24.6	21	21
JS1500 SK	3"(80)	1.5		8	600/550	3*14awg*10	41	24.6	44	40
JST8 SK	2"(50)	0.75	3 Phase 200V 480V	7	250/300	4*1.25*10	28.5	8	21	21
JST8 SK	3"(80)	0.75		6	200	4*1.25*10	28.5	24.6	21	21
JST15 SK	3"(80)	1.5		8	600/550	4*1.25*10	37	24.6	44	40
JST22 SK	3"(80)	2.2		8	800/870	4*2.0*10	47	24.6	44	40
JST37 SK	3"(80)/4"(100)	3.7		10	950/1000	4*2.0*10	52	24.6/38.9	35	44

Dimensions

Pump Type	Discharge bore	Pump section						Operating water level	
		d	A	A1	B	D	H	W1	W2
JS750 S / SK	2"(50)	310	185	160	195	495	445	130	
JS750 S / SK	3"(80)	355	205	195	195	520	470	155	
JS1500 S / SK	3"(80)	385	220	180	240	505	455	140	
JST8 S / SK	2"(50)	310	185	160	195	435	385	130	
JST8 S / SK	3"(80)	355	205	195	195	460	410	155	
JST15 S / SK	3"(80)	385	220	180	240	470	420	140	
JST22 S / SK	3"(80)	405	230	190	240	520	430	155	
JST37 S / SK	3"(80)	405	230	210	250	555	475	185	
JST37 S / SK	4"(100)	405	230	210	250	555	475	185	
JST55 S	4"(100)	570	340	315	260	690	630	250	
JST75 S	4"(100)	570	340	340	260	760	700	250	
JST75 S	6"(150)	670	370	375	260	760	700	250	

